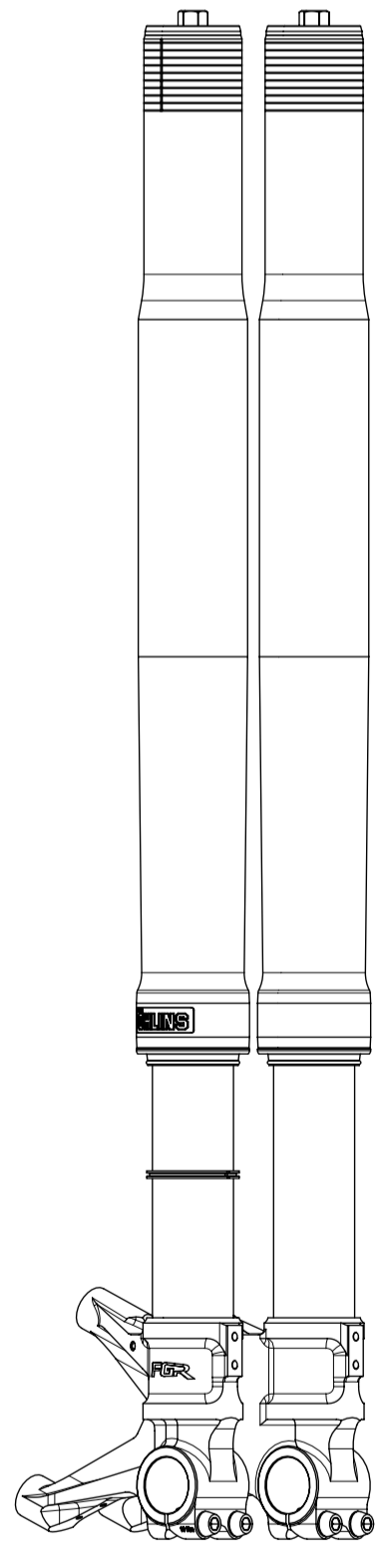
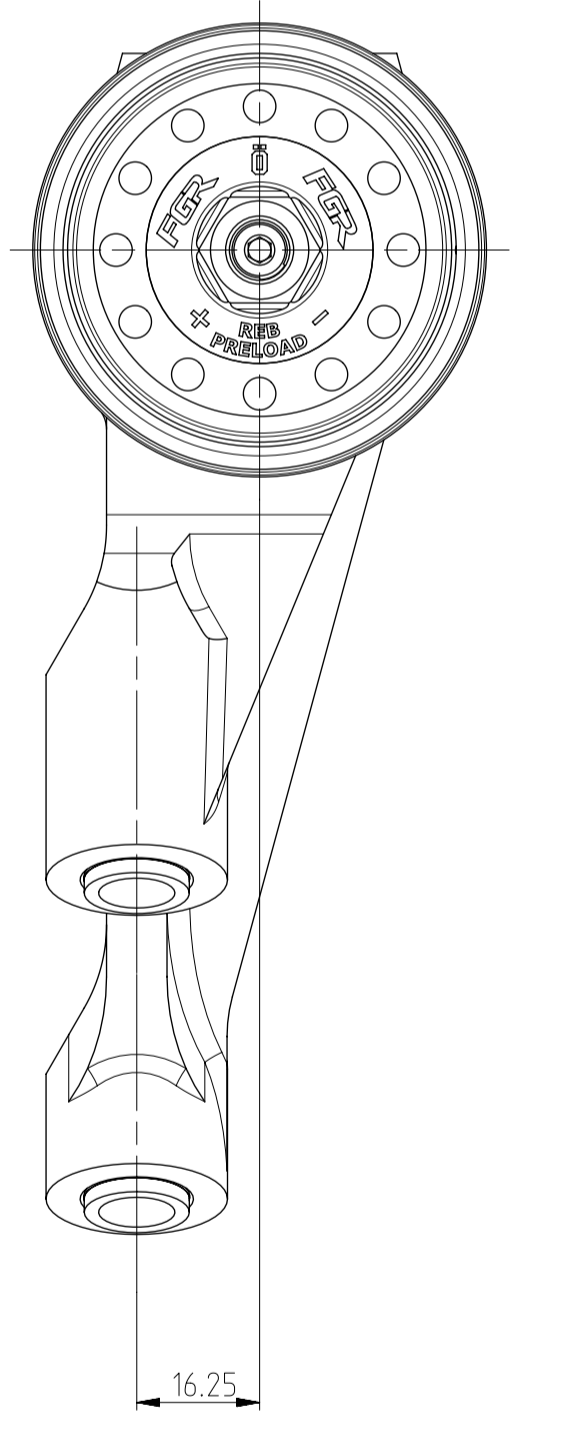
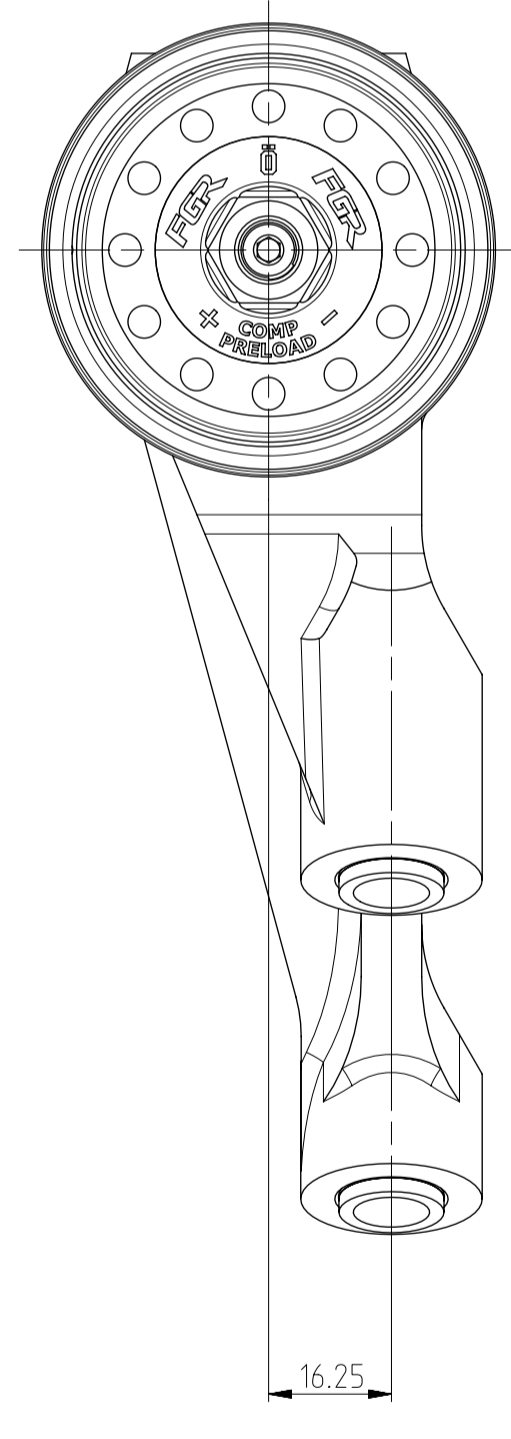
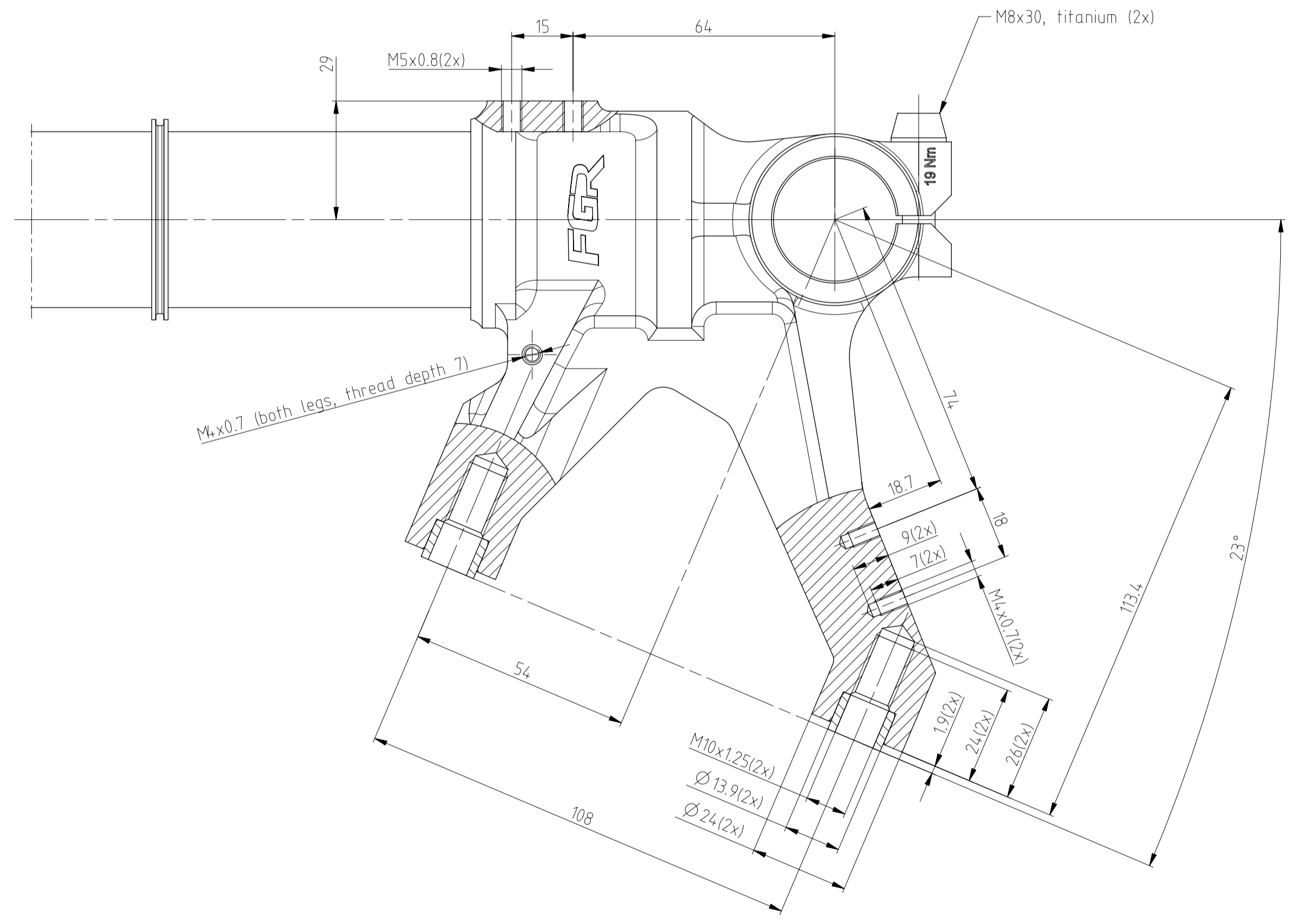
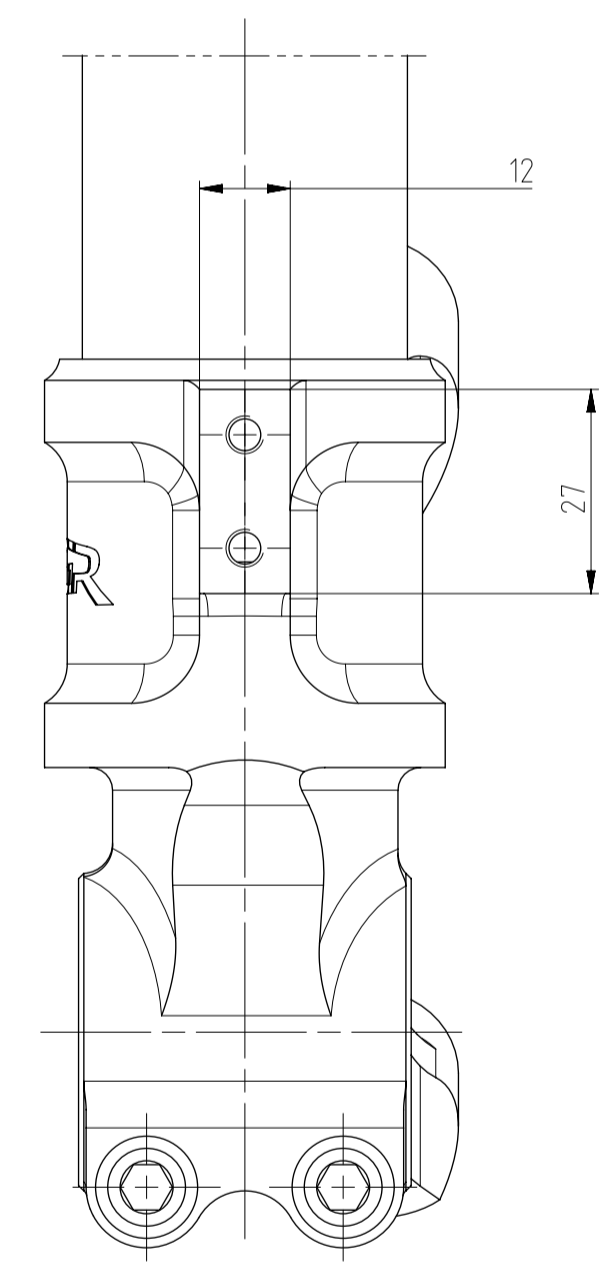


SCALE 1:2



SCALE 1:4



This document is confidential and must not be copied, with or without our written permission, and the contents thereof must not be imparted to a third party nor be used for any unauthorized purpose. Contravention will be prosecuted.

ISO 2768-mS	Dev. (mm)
±0.1	±0.1
±0.2	±0.2
±0.3	±0.3
±0.4	±0.4
±0.5	±0.5
±0.6	±0.6
±0.7	±0.7
±0.8	±0.8
±0.9	±0.9
±1.0	±1.0
±1.2	±1.2
±1.5	±1.5
±2.0	±2.0
±2.5	±2.5
±3.0	±3.0
±4.0	±4.0
±5.0	±5.0
±6.0	±6.0
±8.0	±8.0
±10.0	±10.0
±12.0	±12.0
±15.0	±15.0
±20.0	±20.0
±25.0	±25.0
±30.0	±30.0
±40.0	±40.0
±50.0	±50.0
±63.0	±63.0
±80.0	±80.0
±100.0	±100.0
±125.0	±125.0
±160.0	±160.0
±200.0	±200.0
±250.0	±250.0
±315.0	±315.0
±400.0	±400.0
±500.0	±500.0
±630.0	±630.0
±800.0	±800.0
±1000.0	±1000.0

Rev.	Type of change	Sign	Date	Rev.no
A	Drawing released for production	MOMO	191118	

Date	2019-11-13	Drawn	MOMO	Approved	TAN	Format	A1	Scale	1:1	Company	FGR_300, FGR_301
Designation (swedish)										Drawing number	
Designation (english)										Revision	
OHNLNS										A	
Dimensions										FGR_250.	
Front fork superbike											